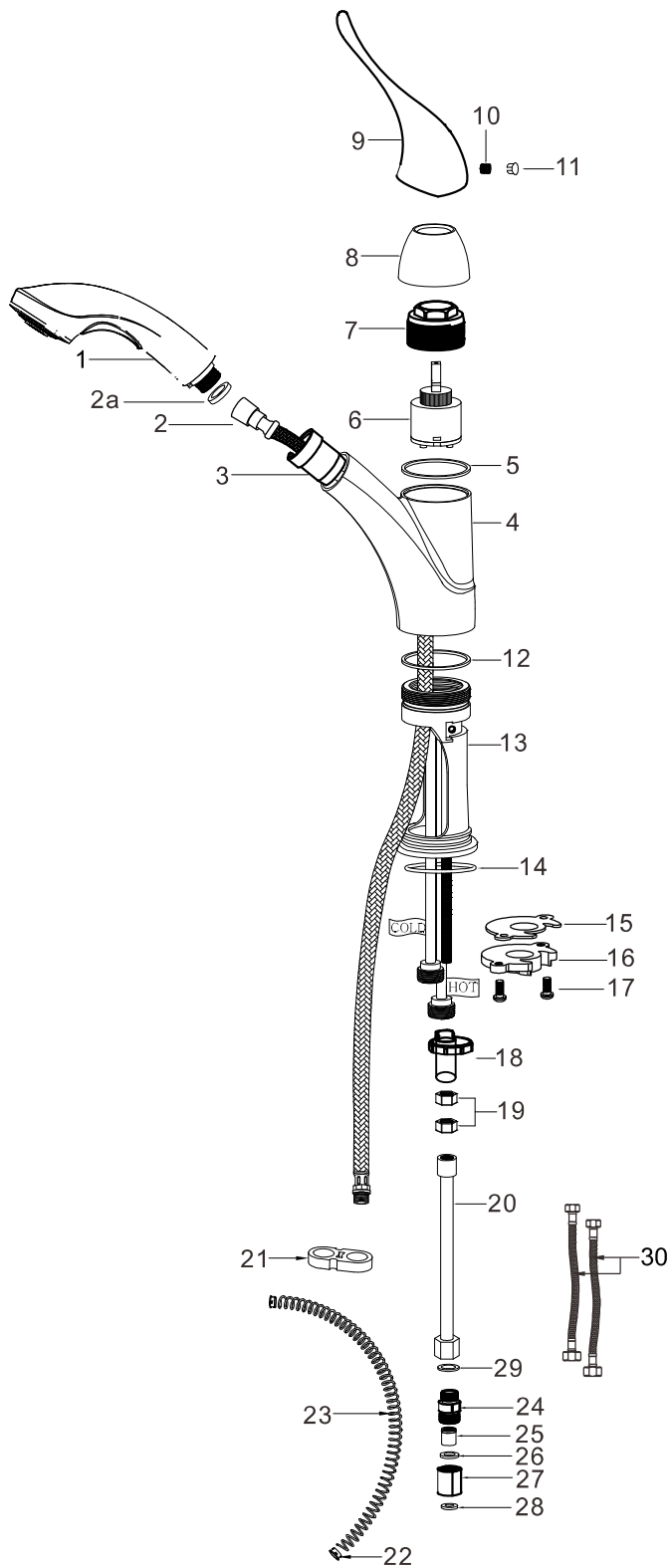




# Replacement Parts

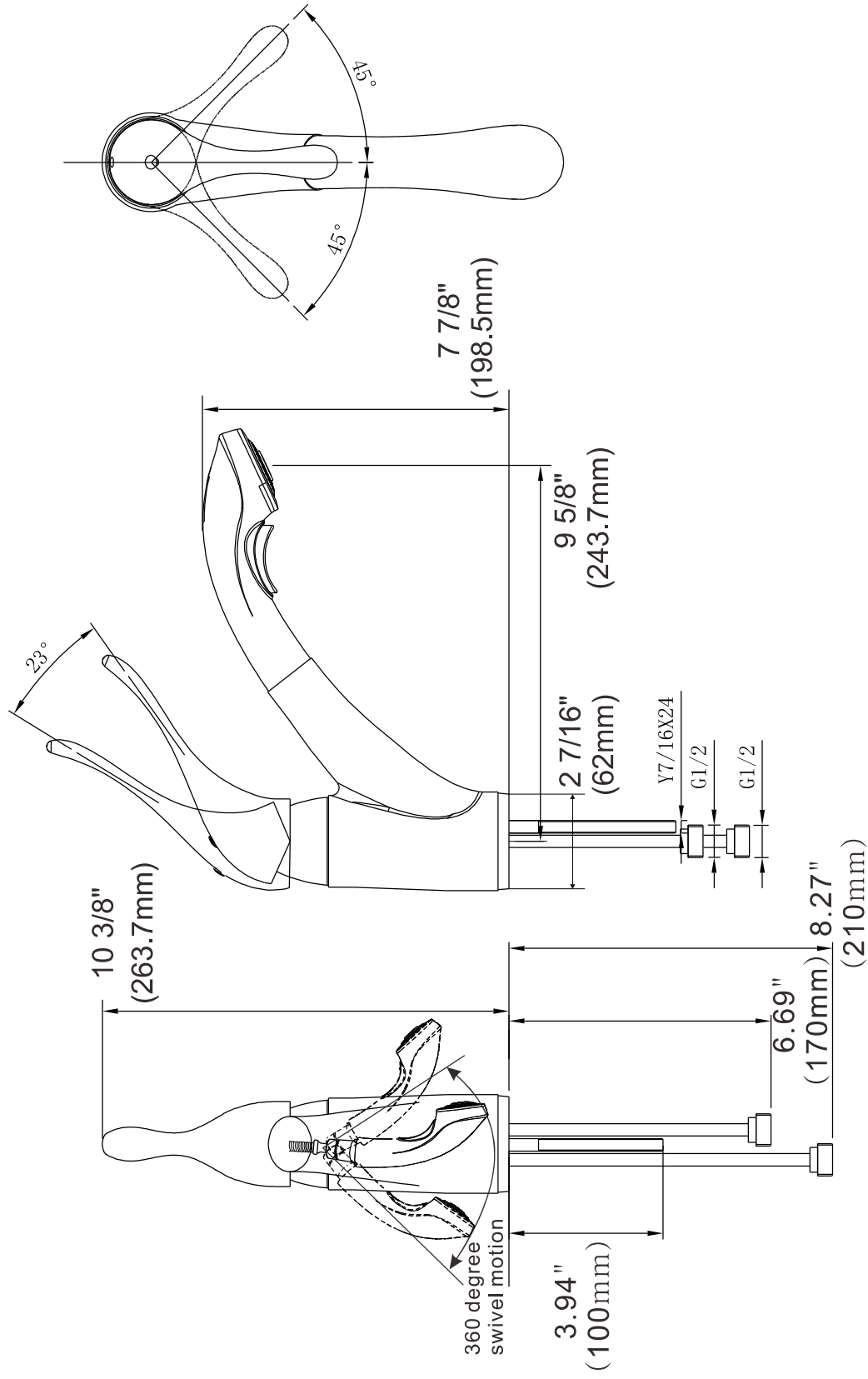
Keep this manual for ordering replacement parts.



1. Sprayer head
2. Swivel Hose
- 2a. Hose Washer
3. Neck Insert
4. Faucet Body
5. Friction Ring
6. Cartridge
7. Cartridge Nut
8. Cartridge Cover
9. Control Handle
10. Handle Set Screw
11. Set Screw Cover
12. Friction Ring
13. Body Insert
14. Bottom Gasket
15. Mounting Rubber
16. Mounting Bracket
17. Set Screws
18. Hose Guide
19. Mounting Nuts
20. Extension Pipe
21. Spring Holder
22. Friction Ring
23. Spring
24. Sleeve Nut
25. Check Valve
26. Flat Gasket
27. Sleeve
28. Flat Gasket
29. Hose Tube Washer
30. Hot & Cold Waterlines

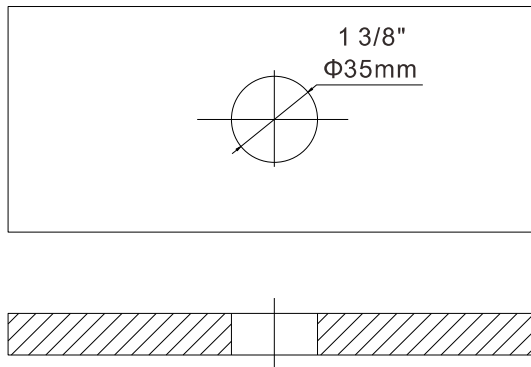
**SB-6020 Bristol  
Solid Stainless Steel Pull-out Faucet**

# Product Dimension Drawing

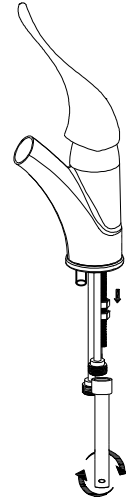


# Faucet Installation Procedures

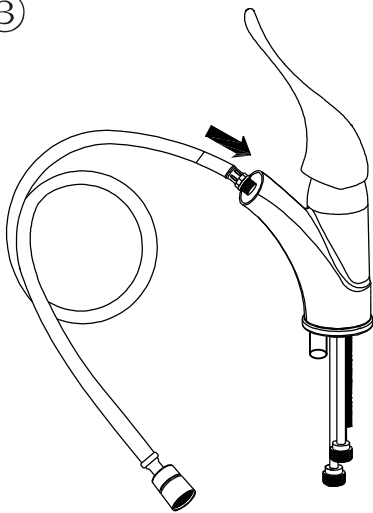
Step ①



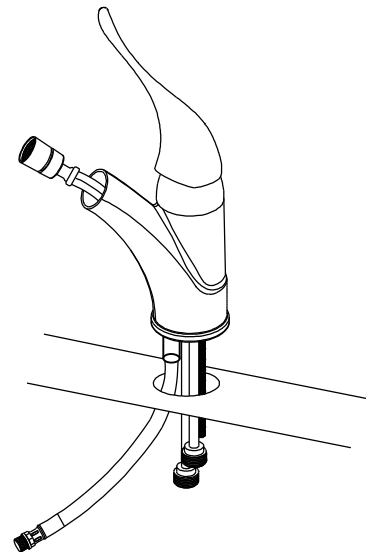
Step ②



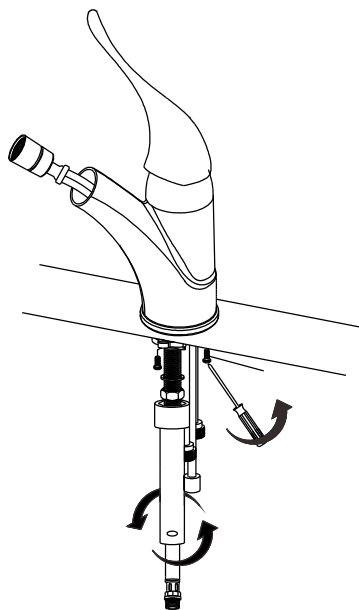
Step ③



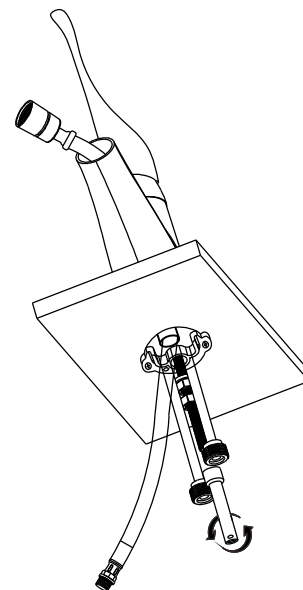
Step ④



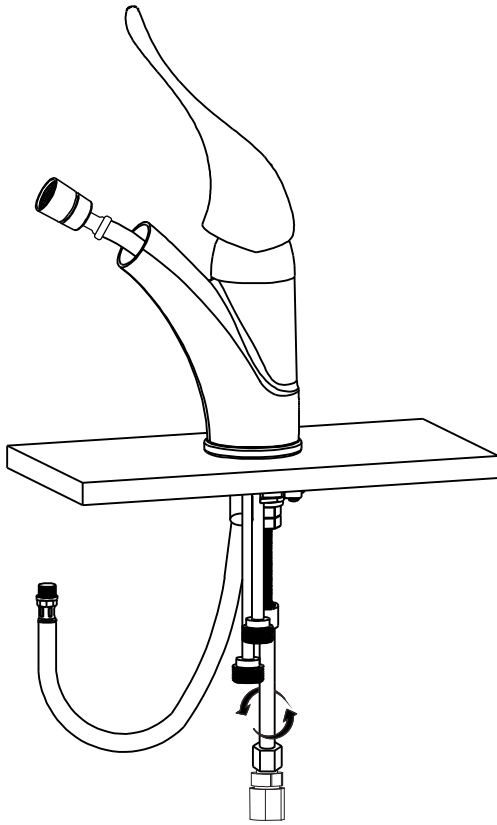
Step ⑤



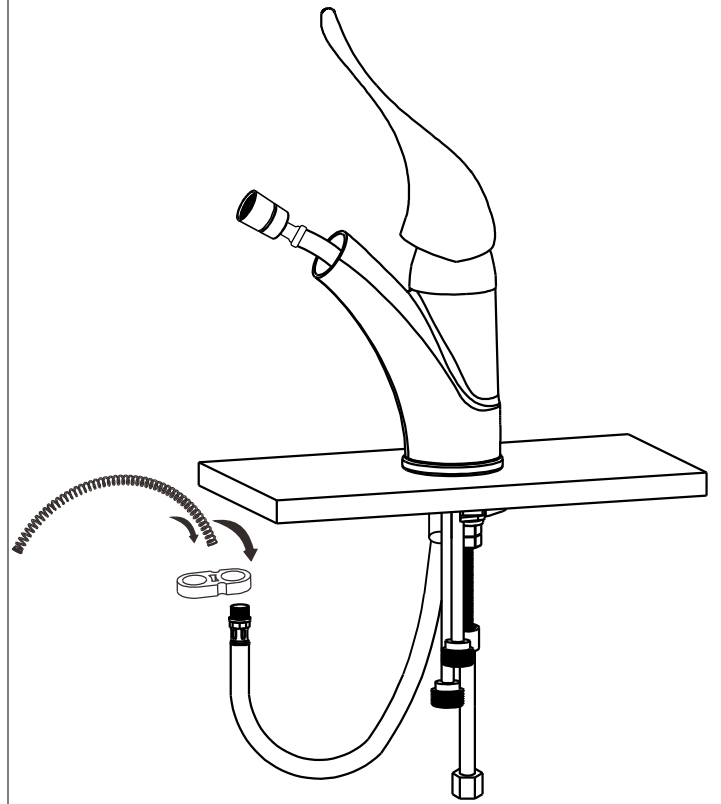
Step ⑥



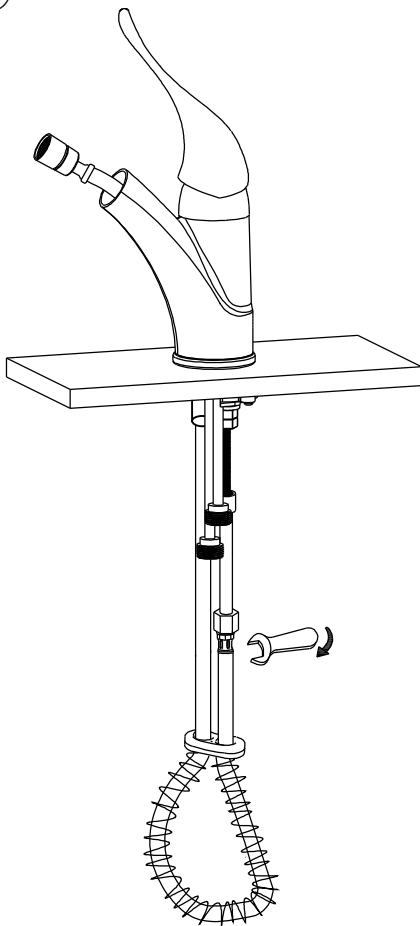
Step ⑦



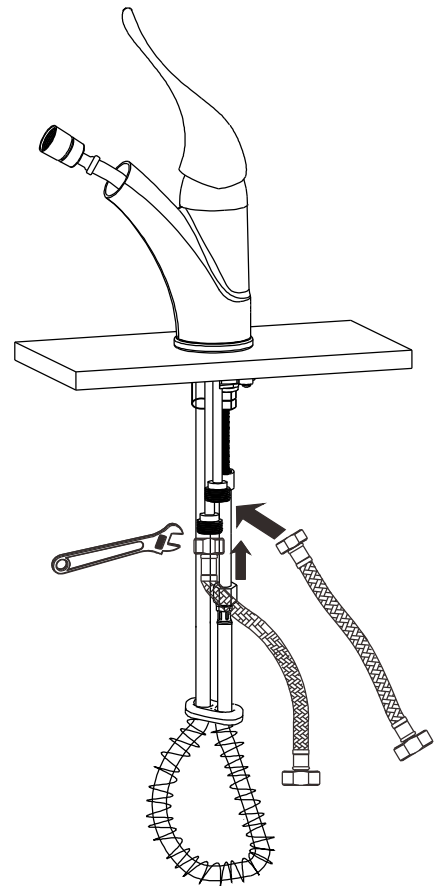
Step ⑧



Step ⑨



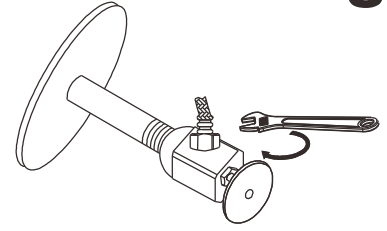
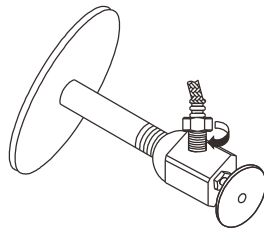
Step ⑩



Step ⑪

# Caution!!

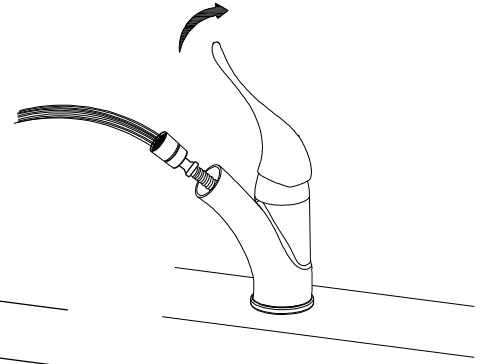
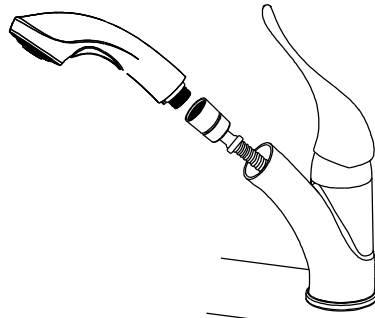
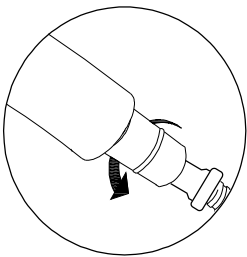
Flush construction debris out of water valves and pipes **BEFORE** connecting water lines.



Step ⑫

# Caution!!

Do not lose hose washer!  
Remove head and final flush cartridge,  
faucet body and hose.



Step ⑬

