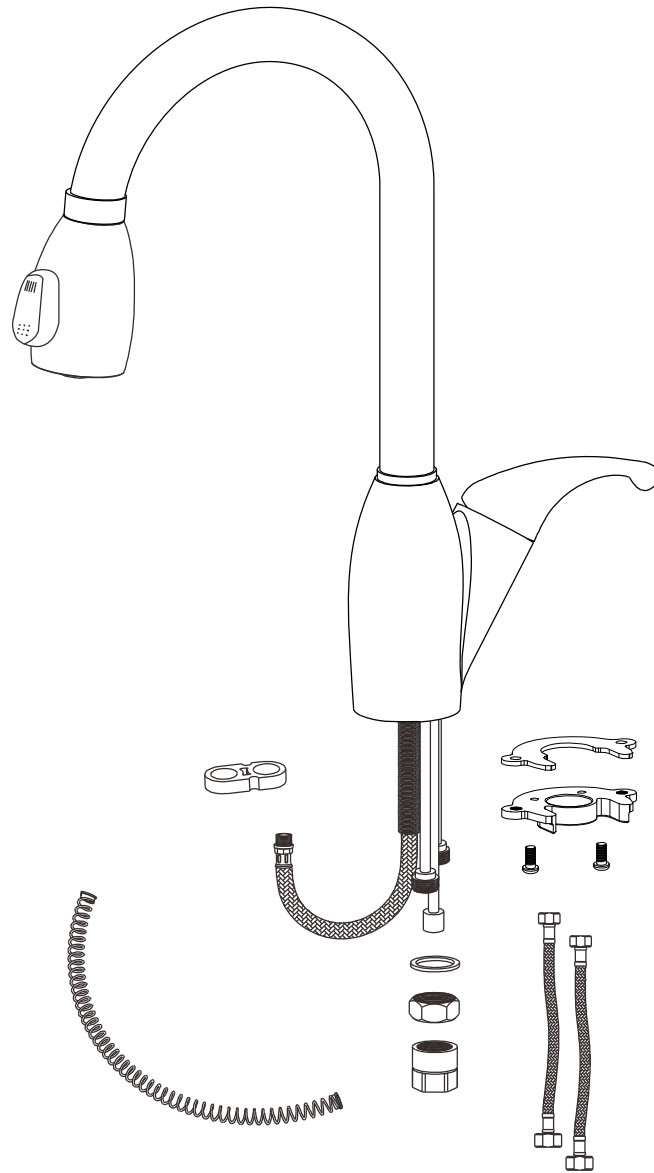




Installation Instruction

Single Handle Pull-Out Kitchen Faucet

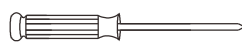


Model No.: SB-6040 and SB-6042

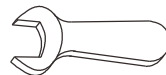
Tools You Will Need



Adjustable wrench



Phillips screwdriver



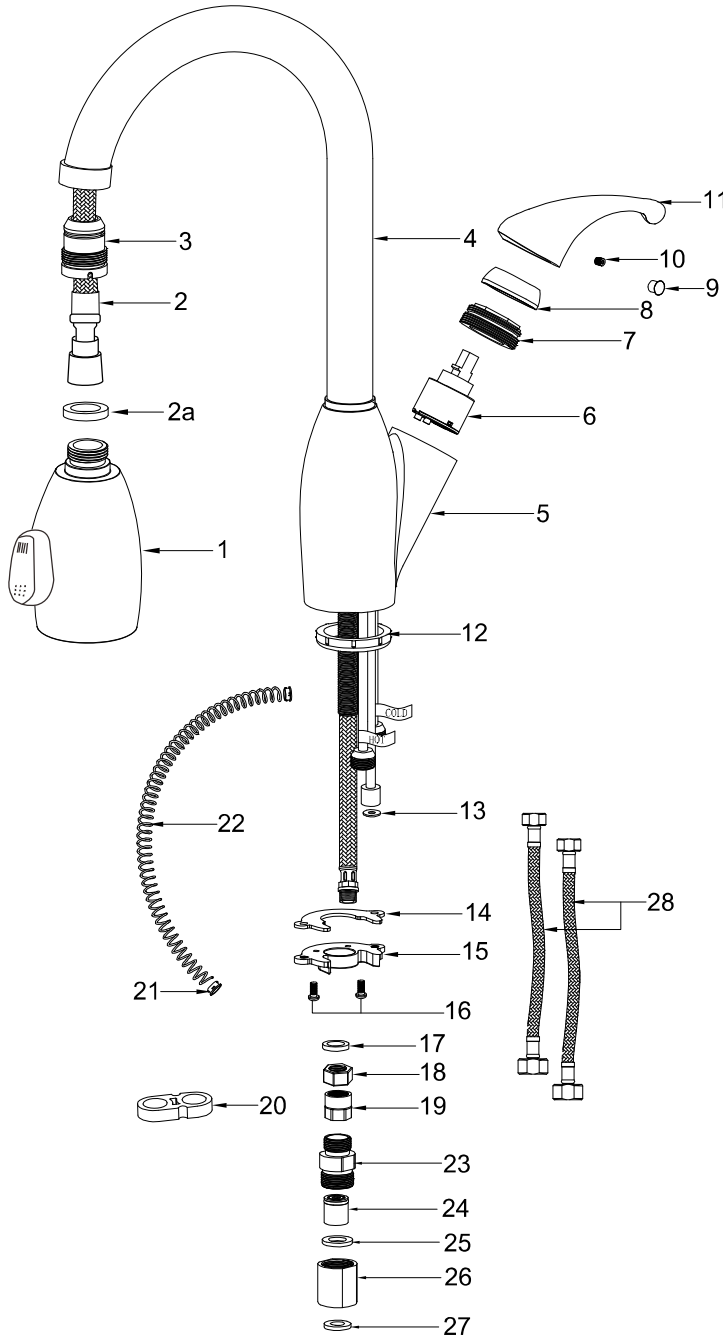
Hose wrench
(supplied)



Spanner for mounting nut
(supplied)

Replacement Parts

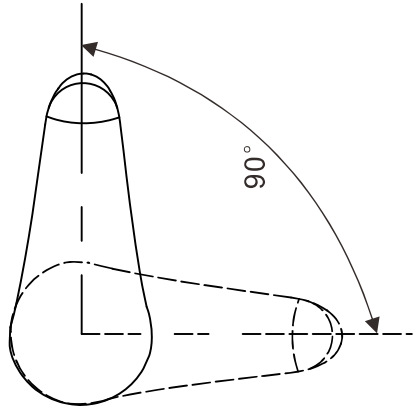
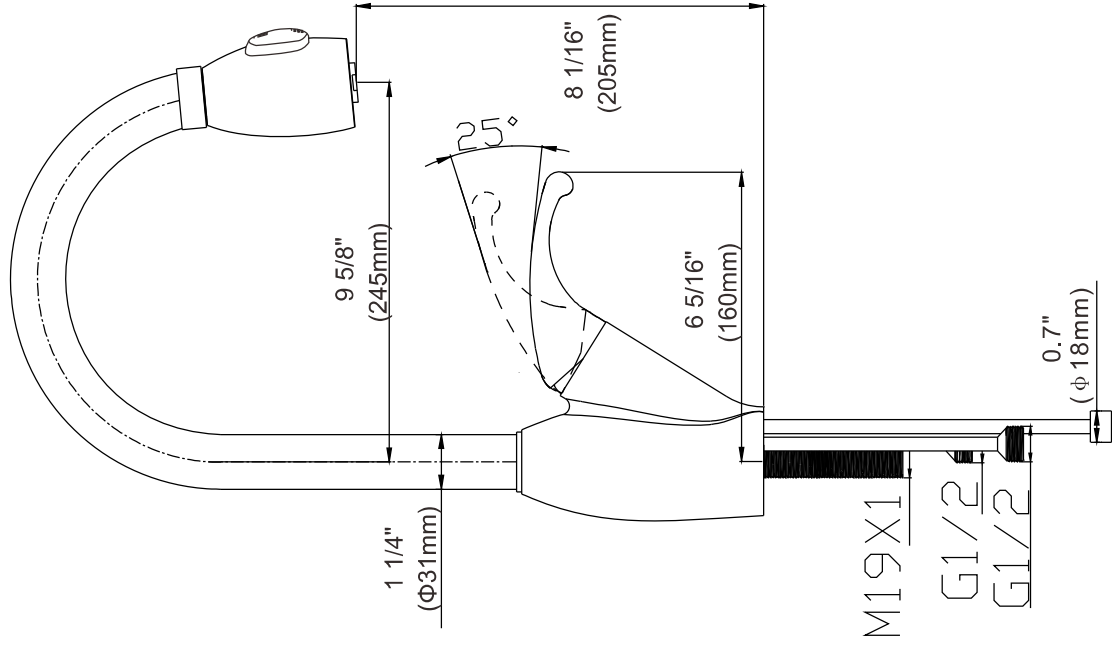
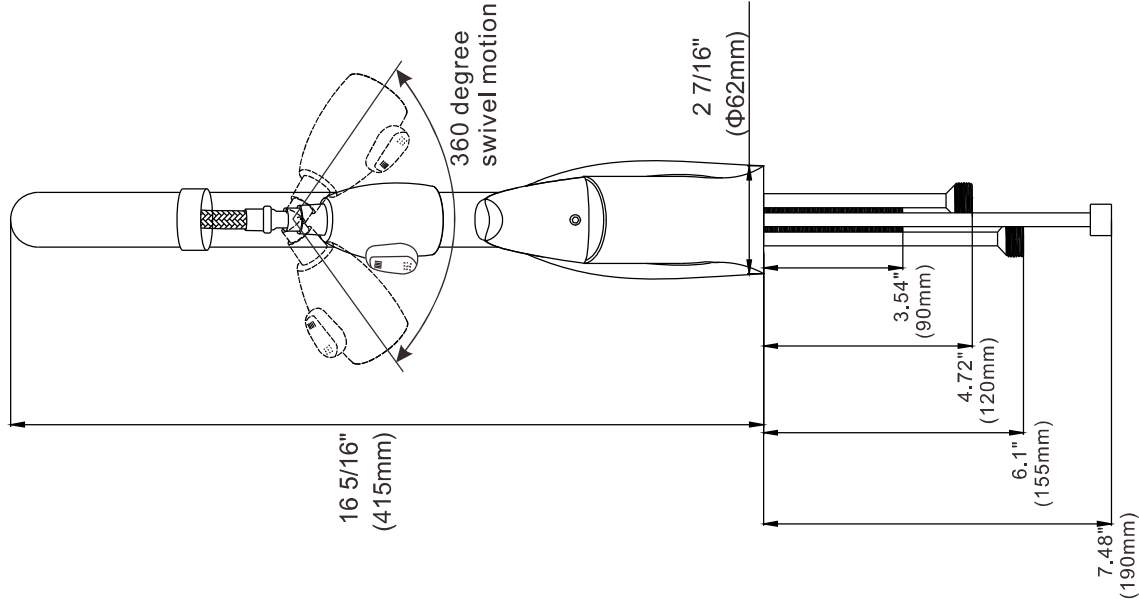
Keep this manual for ordering replacement parts.



1. Sprayer Head
2. Swivel Hose
- 2a. Hose Washer
3. Neck Insert
4. Neck
5. Faucet Body
6. Cartridge
7. Cartridge Nut
8. Cartridge Cover
9. Set Screw Cover
10. Handle Set Screw
11. Control Handle
12. Bottom Gasket
13. Hose Tube Washer
14. Mounting Rubber
15. Mounting Bracket
16. Set Screws
17. Mounting Washer
18. Mounting Nut
19. Hose Protector
20. Spring Holder
21. Friction Ring
22. Spring
23. Sleeve Nut
24. Check Valve
25. Flat Gasket
26. Sleeve
27. Flat Gasket
28. Hot & Cold Waterlines

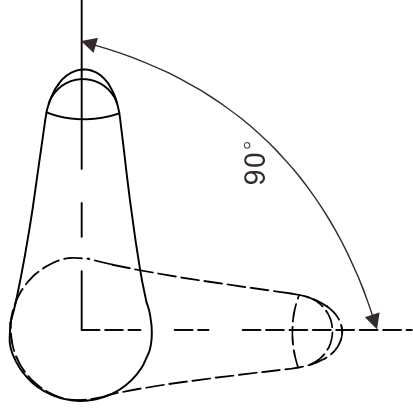
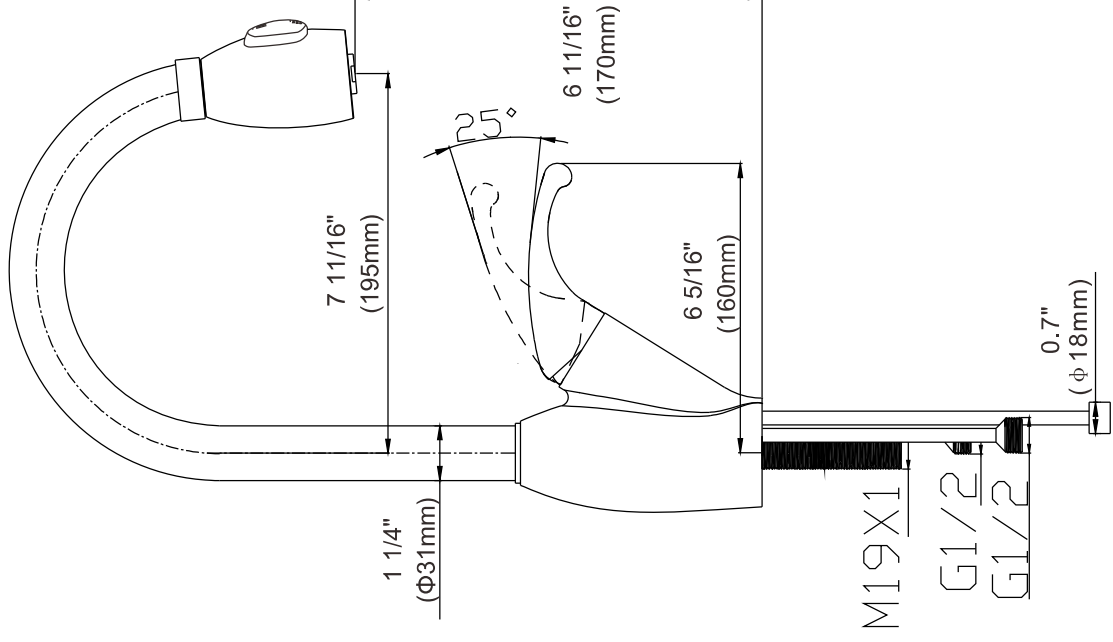
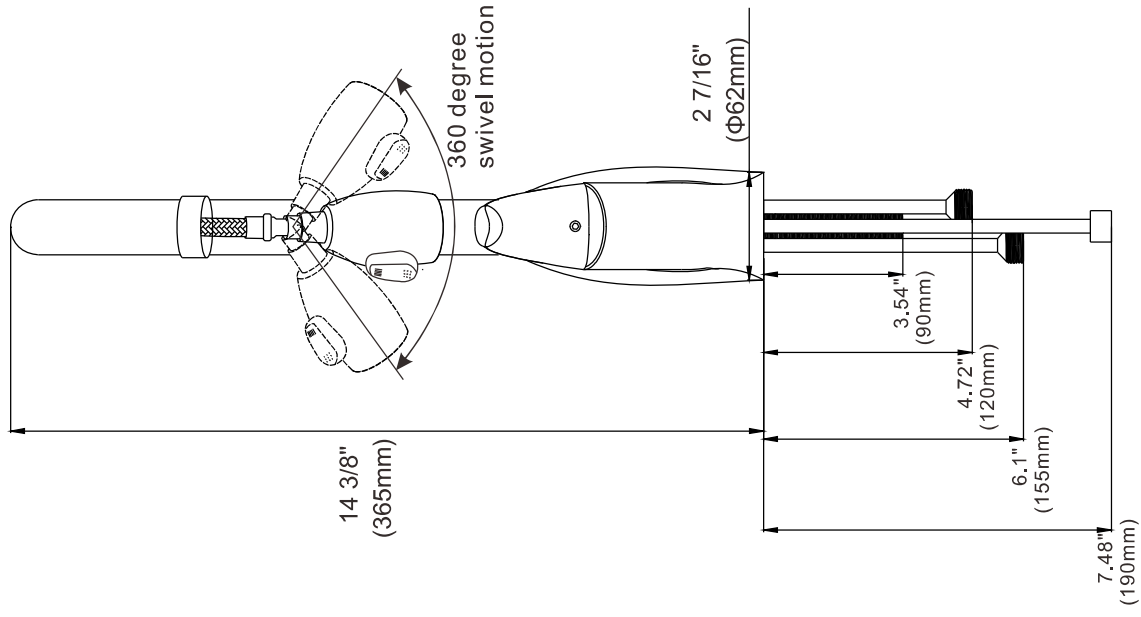
**SB-6040 Brentwood and SB-6042 Lexington
Solid Stainless Steel Pull-Out Faucet**

Product Dimension Drawing of SB-6040



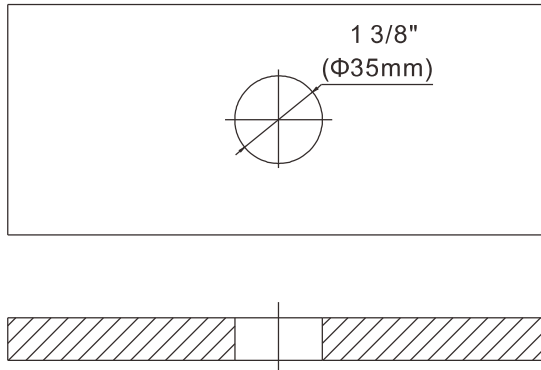
SPECIAL Forward Motion Only Handle

Product Dimension Drawing of SB-6042

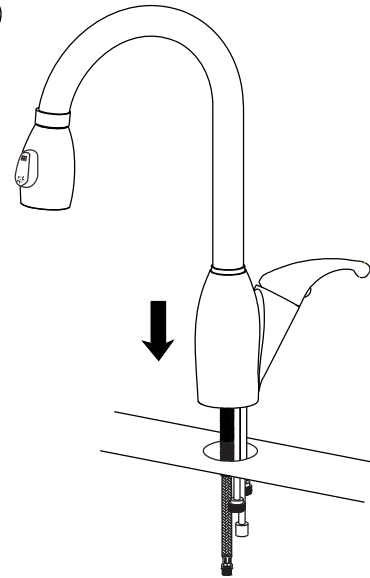


SPECIAL Forward Motion Only Handle

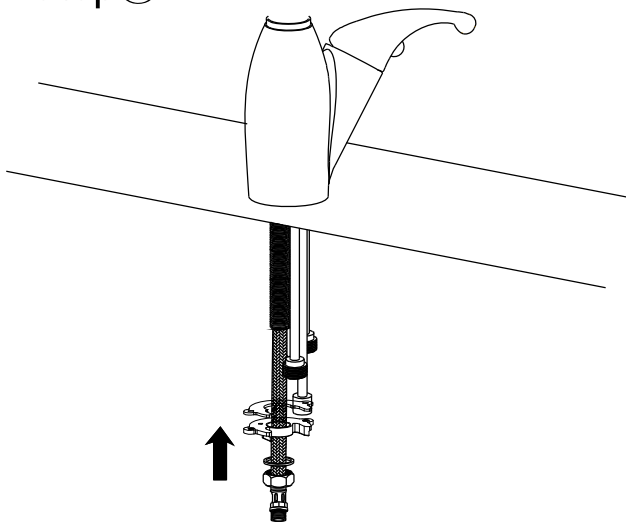
Faucet Installation Procedures



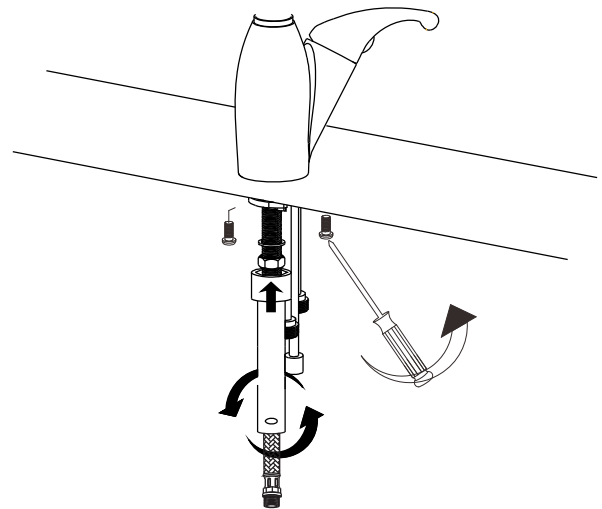
Step ①



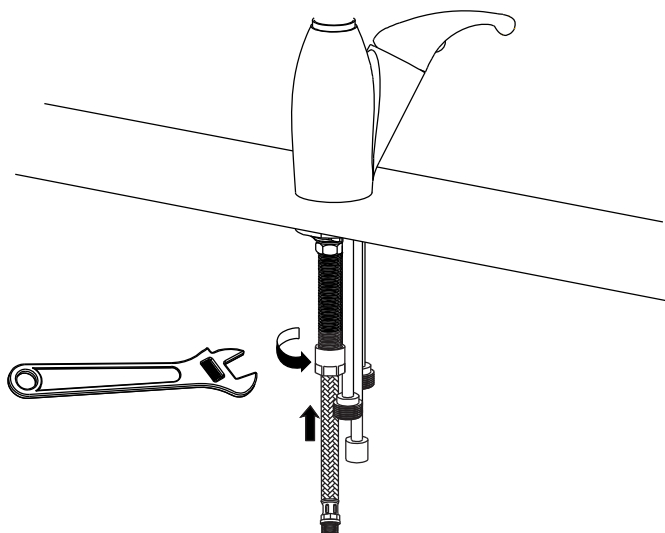
Step ②



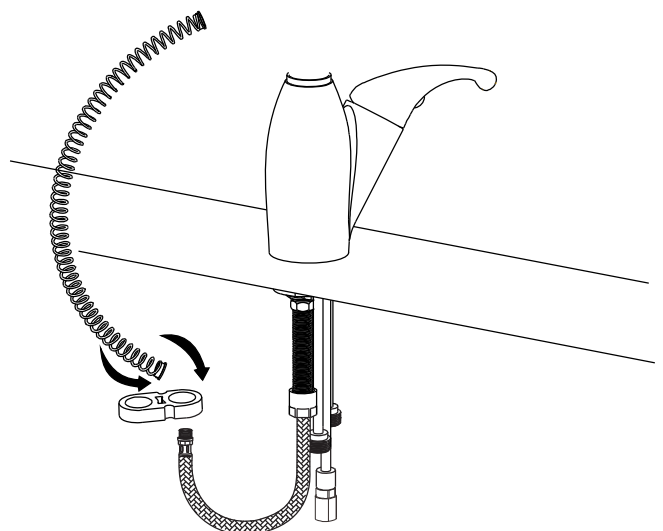
Step ③



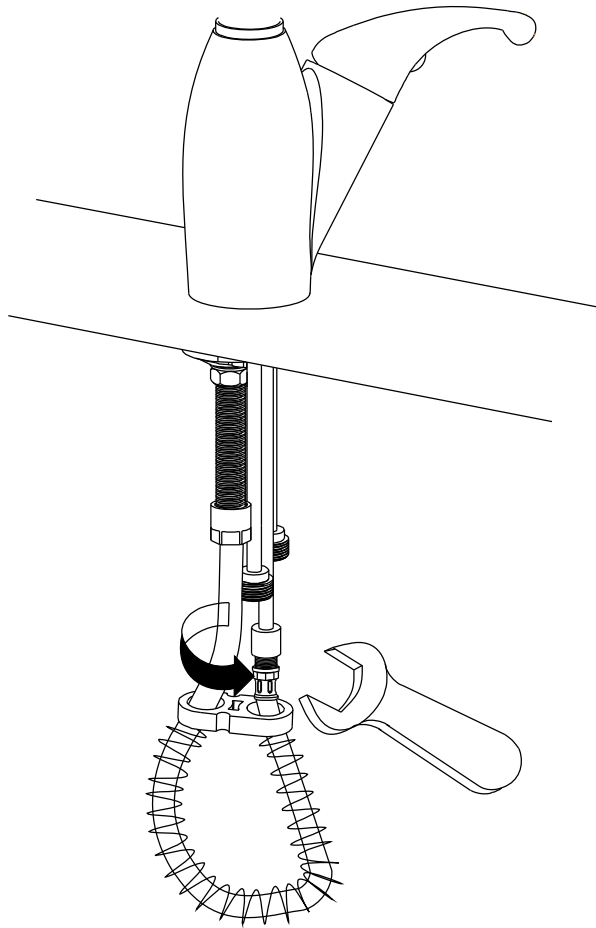
Step ④



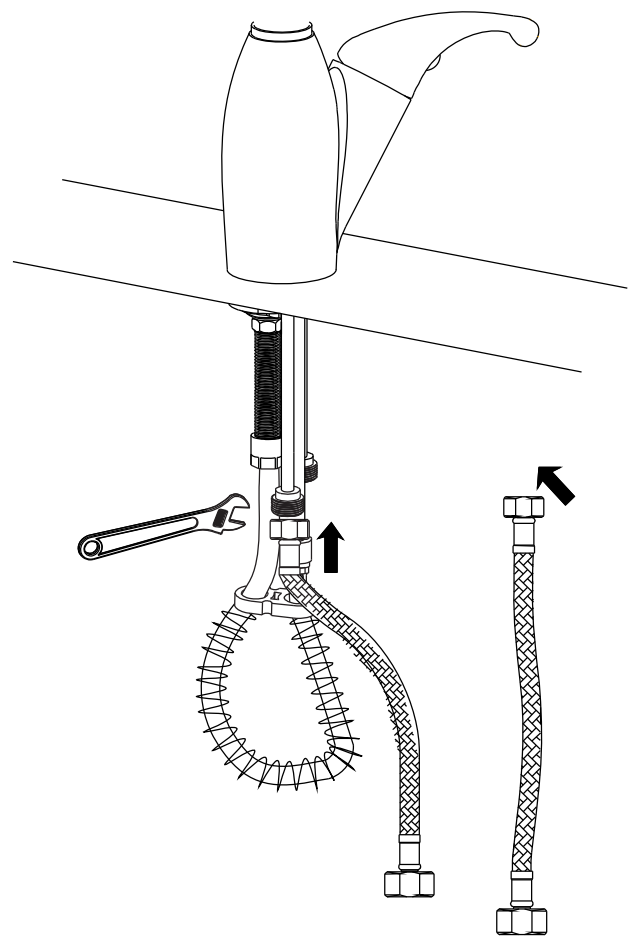
Step ⑤



Step ⑥



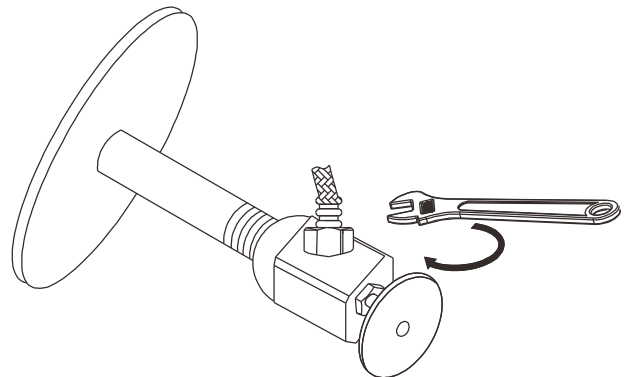
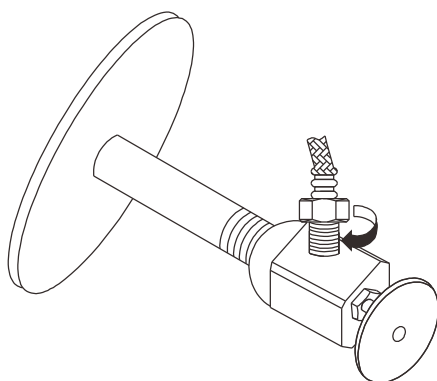
Step ⑦



Step ⑧

Caution!!

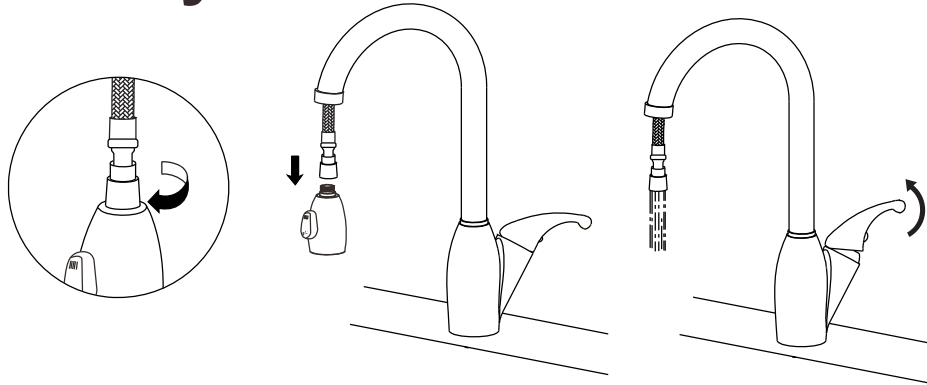
Flush construction debris out of water valves and pipes BEFORE connecting water lines.



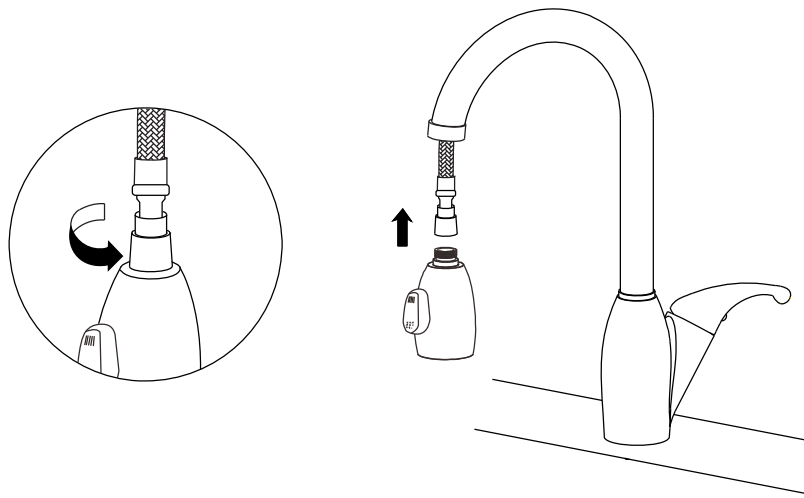
Step ⑨

Caution!!

Do not lose hose washer!
Remove head and final flush cartridge,
faucet body and hose.



Step ⑩



Step ⑪

