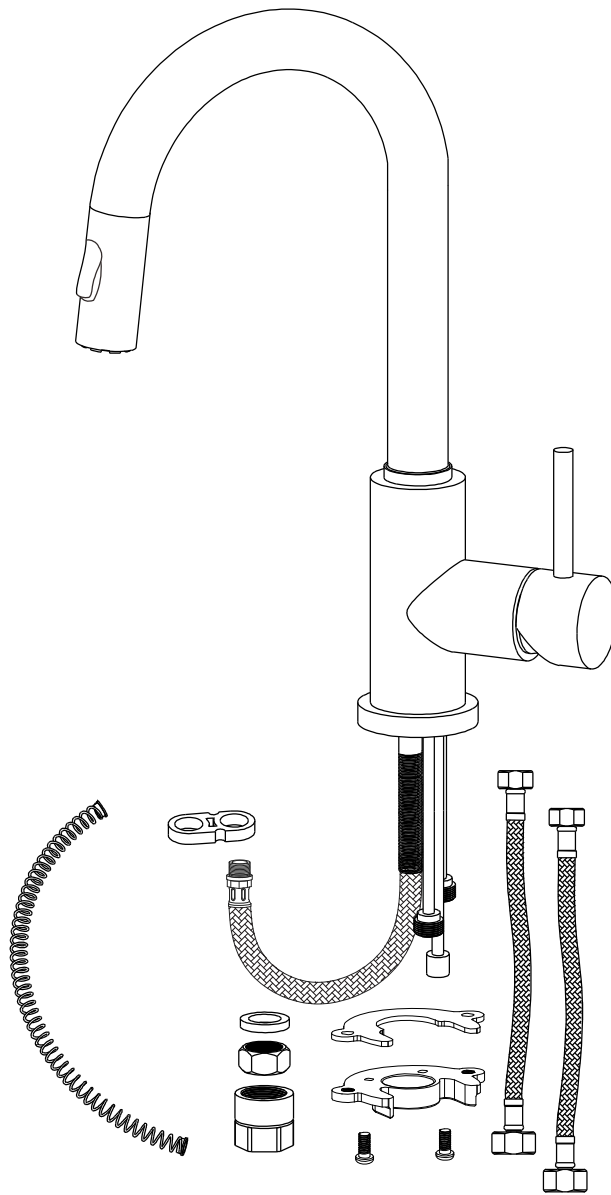




Installation Instruction

Single Handle Pull-Out Kitchen Faucet



Model No.: SB-6070

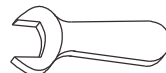
Tools You Will Need



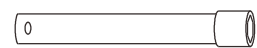
Adjustable wrench



Phillips screwdriver



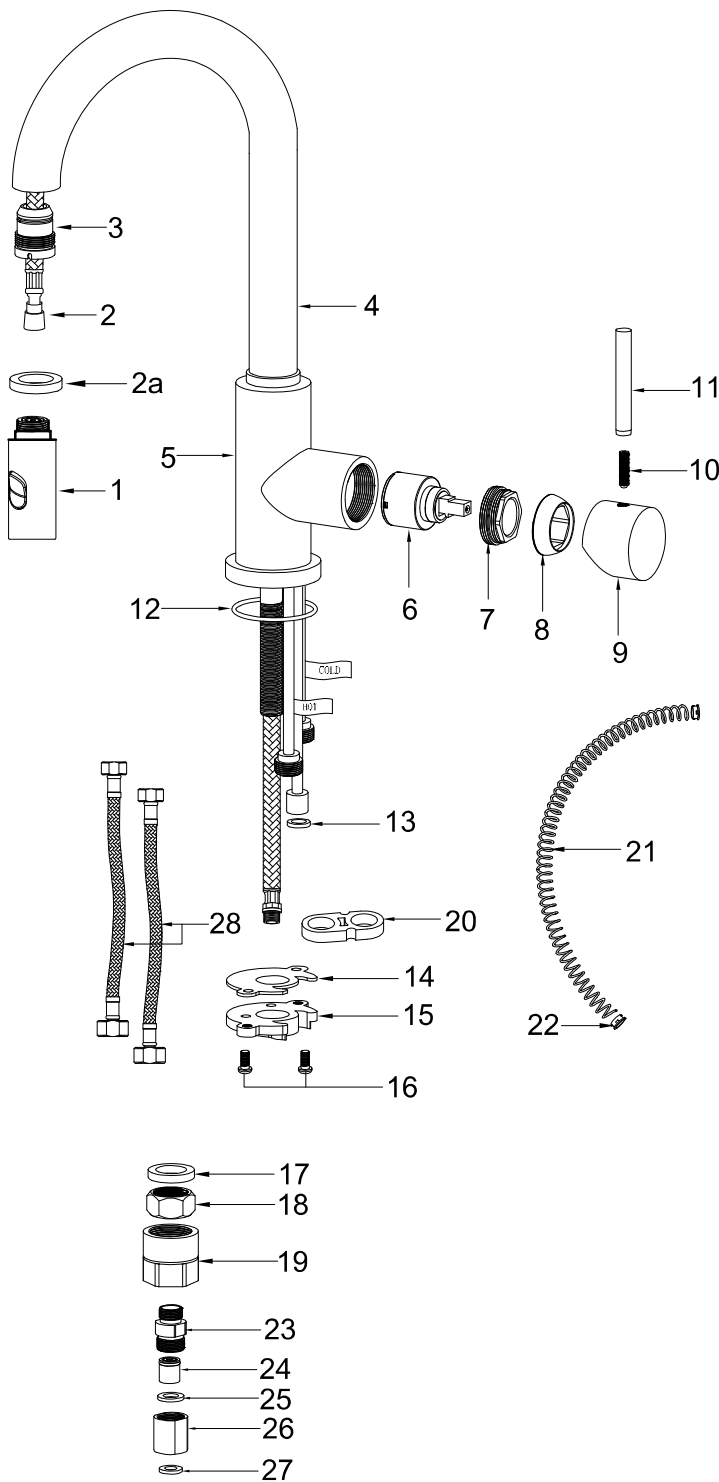
Hose wrench
(supplied)



Spanner for mounting nut
(supplied)

Replacement Parts

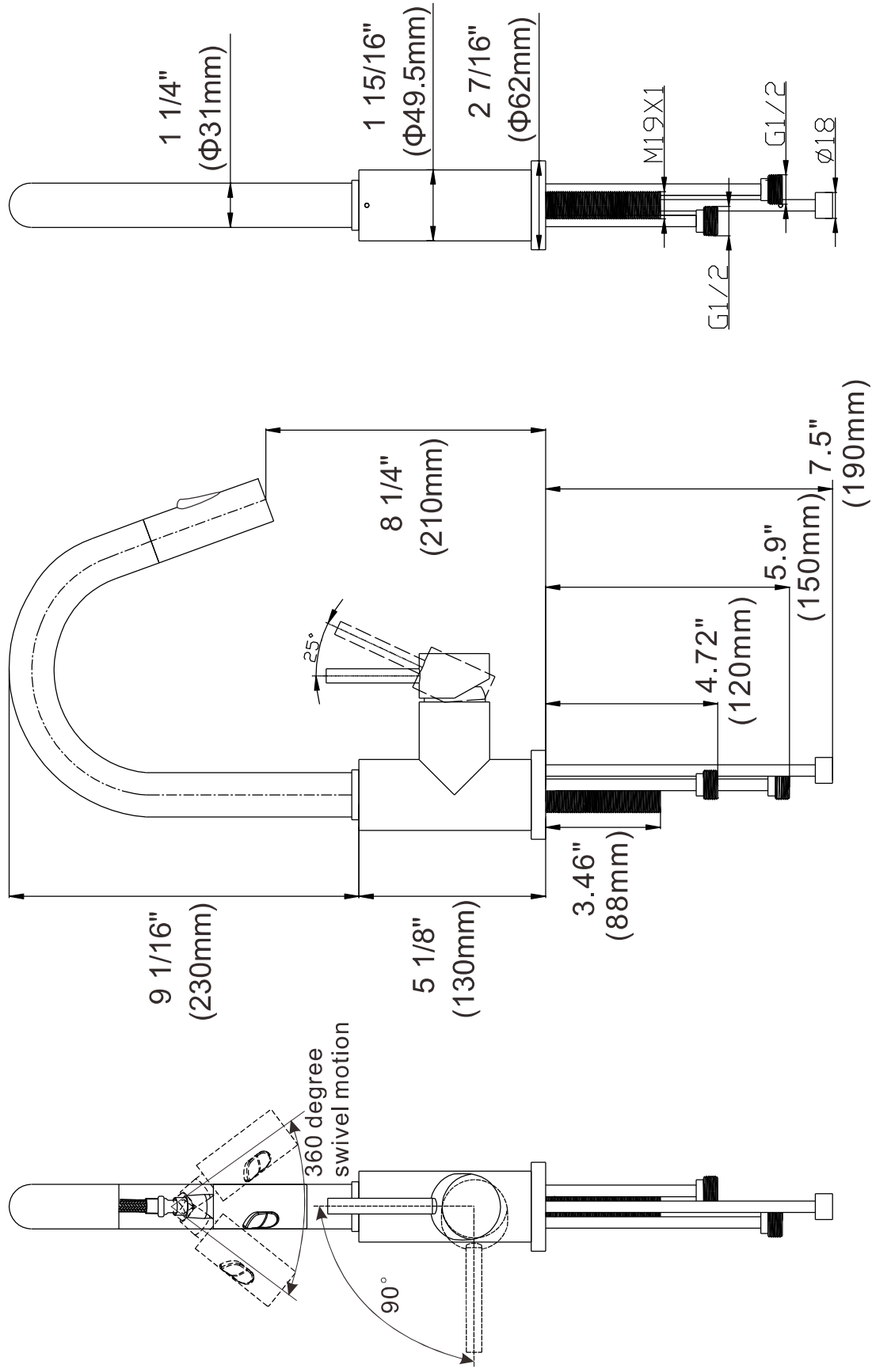
Keep this manual for ordering replacement parts.



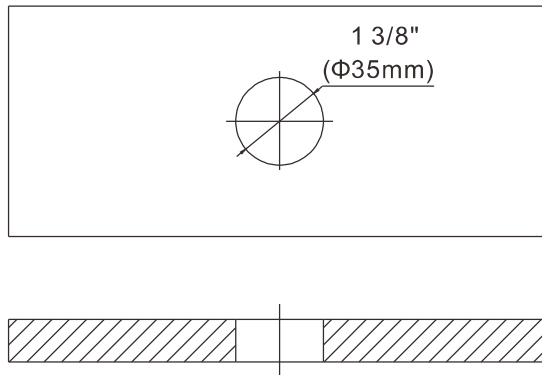
1. Sprayer head
2. Swivel Hose
- 2a. Hose Washer
3. Neck Insert
4. Neck
5. Faucet Body
6. Cartridge
7. Cartridge Nut
8. Cartridge Cover
9. Handle
10. Handle Set Screw
11. Control Handle Lever
12. Bottom Ring
13. Hose Tube Washer
14. Mounting Bracket Rubber
15. Mounting Bracket
16. Set Screws
17. Mounting Nut Washer
18. Mounting Nut
19. Hose Protector
20. Spring Holder
21. Spring
22. Friction Sleeve
23. Sleeve Nut
24. Check Valve
25. Flat Gasket
26. Sleeve
27. Flat Gasket
28. Hot & Cold Waterlines

SB-6070 Windsor
Solid Stainless Steel Pull-Out Faucet

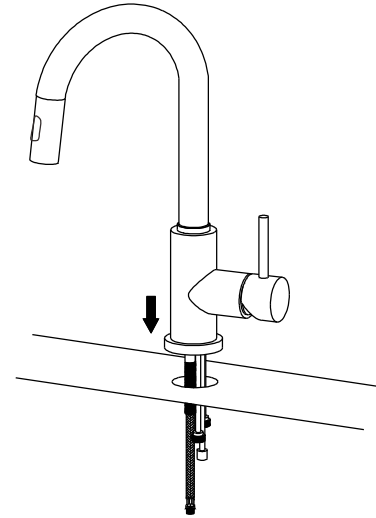
Product Dimension Drawing



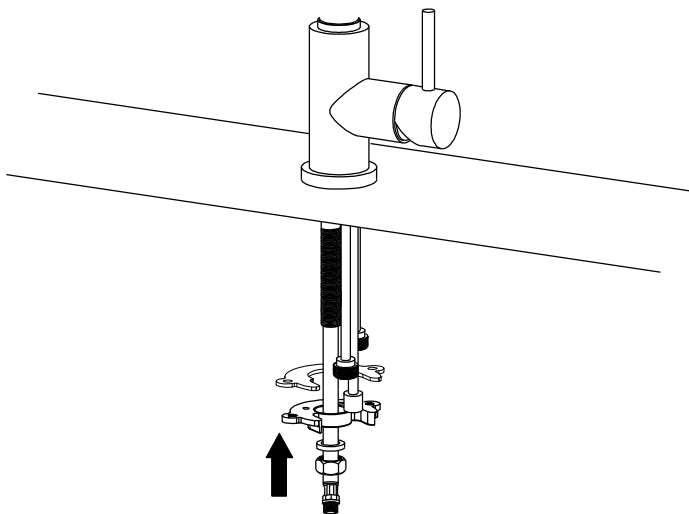
Faucet Installation Procedures



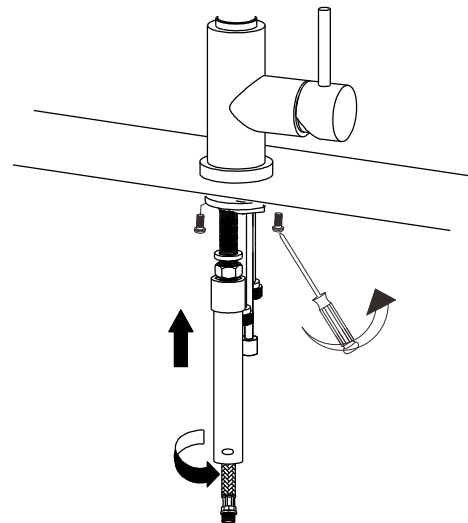
Step ①



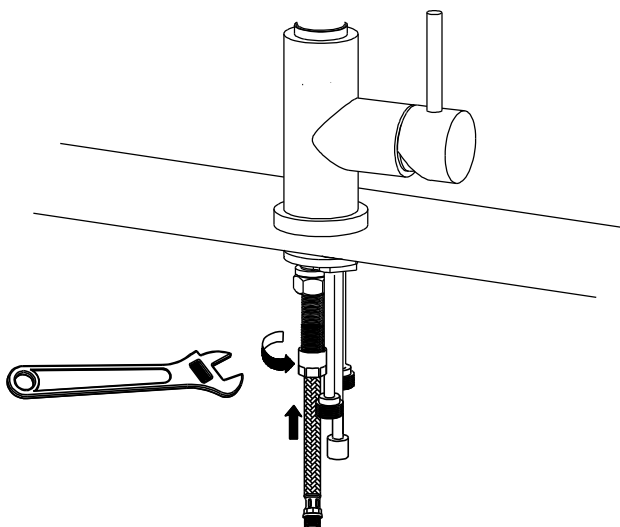
Step ②



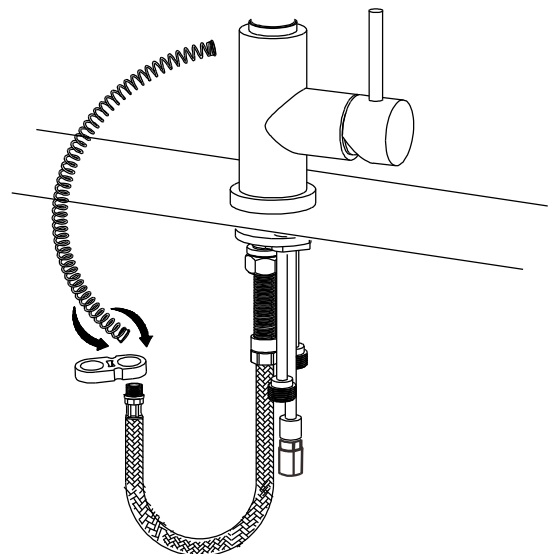
Step ③



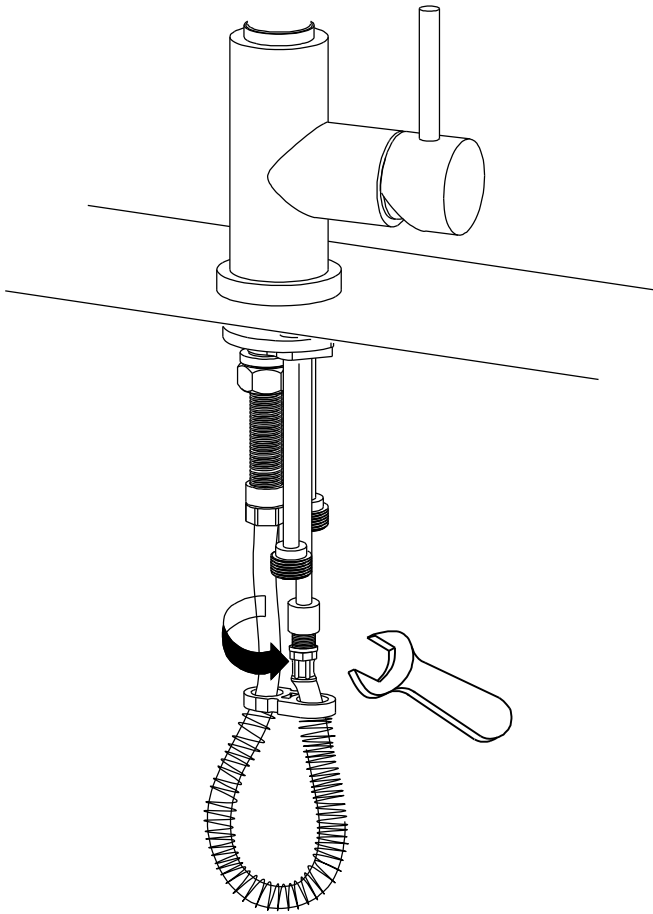
Step ④



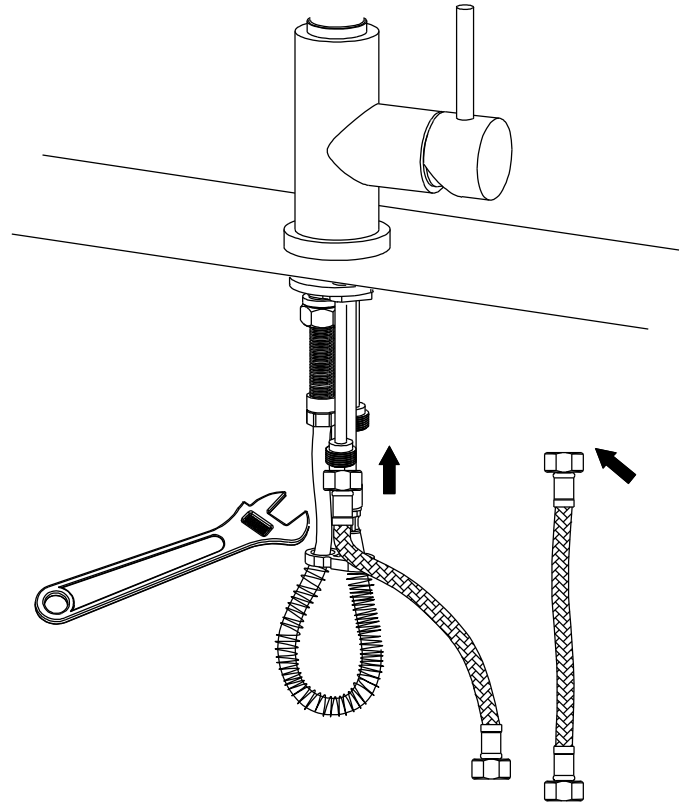
Step ⑤



Step ⑥



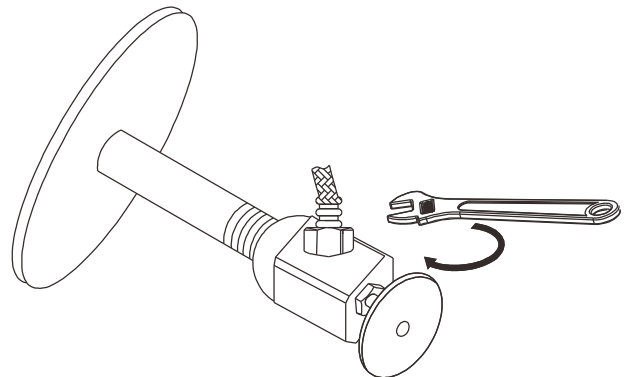
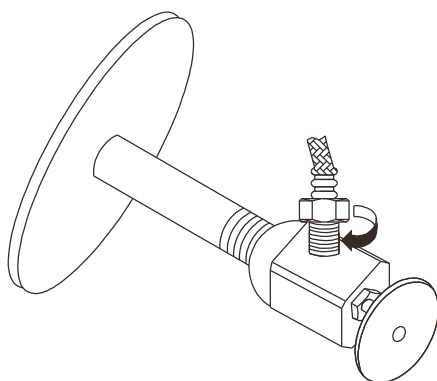
Step ⑦



Step ⑧

Caution!!

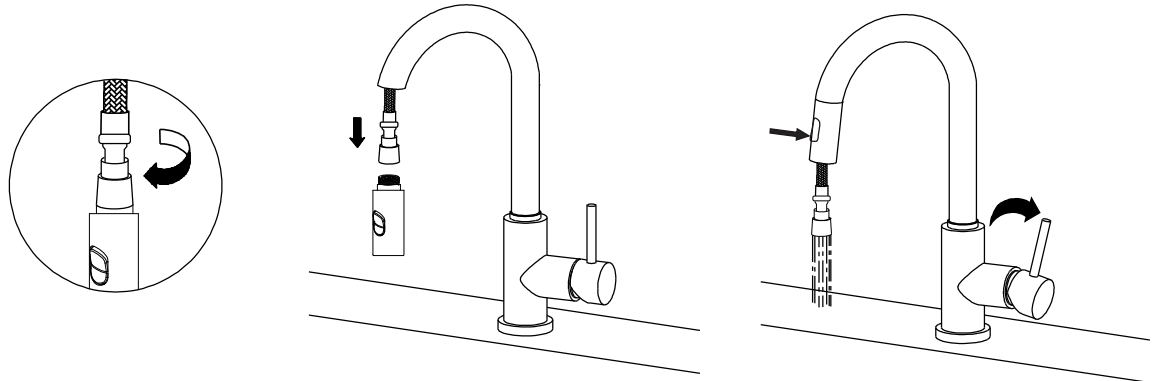
Flush construction debris out of water valves and pipes BEFORE connecting water lines.



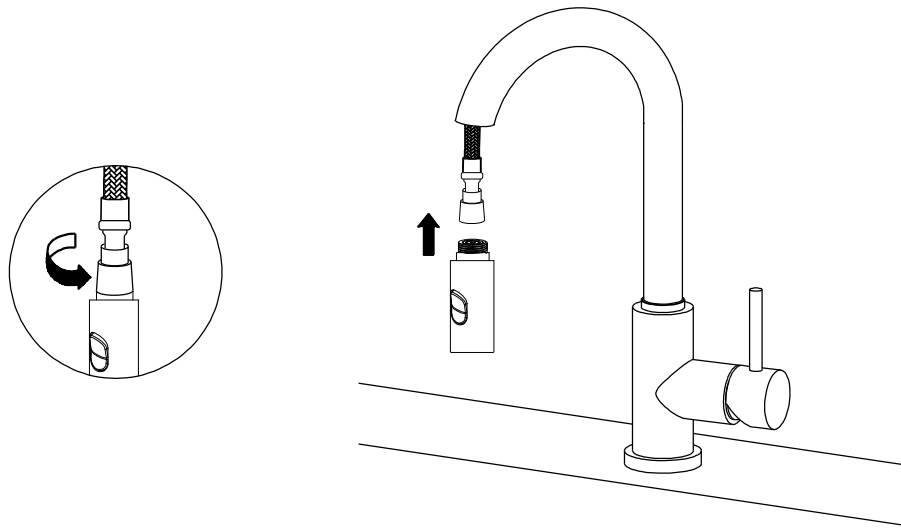
Step 9

Caution!!

**Do not lose hose washer!
Remove head and final flush cartridge,
faucet body and hose.**



Step 10



Step 11

