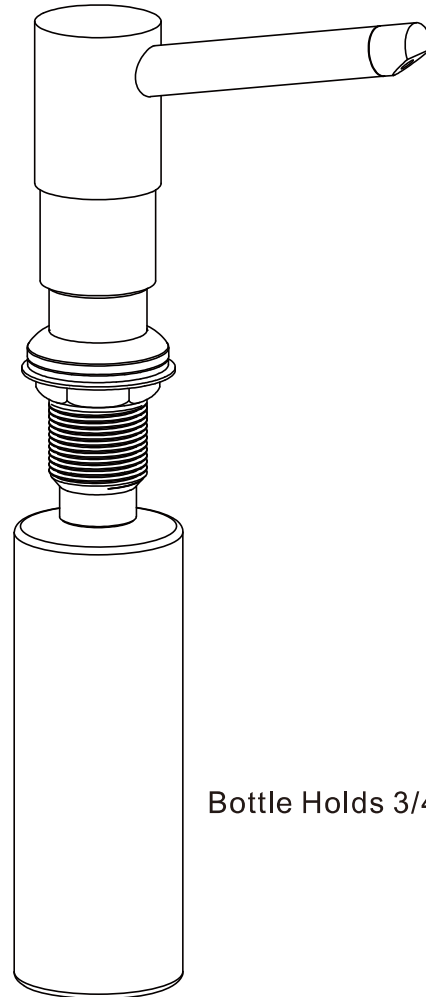




# Installation Instruction

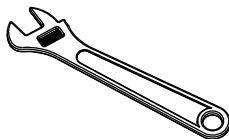
Soap Dispenser



Bottle Holds 3/4 Cup of Soap

Model No.: SD-1001

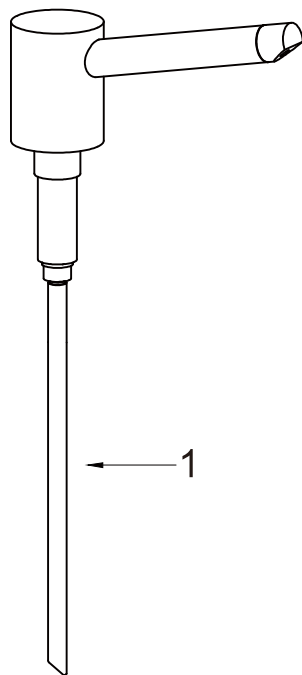
## Tools You Will Need



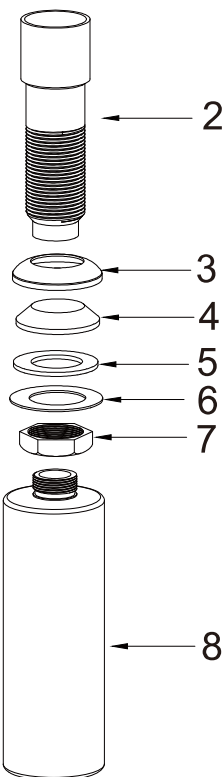
Adjustable wrench

# Replacement Parts

Keep this manual for ordering replacement parts.



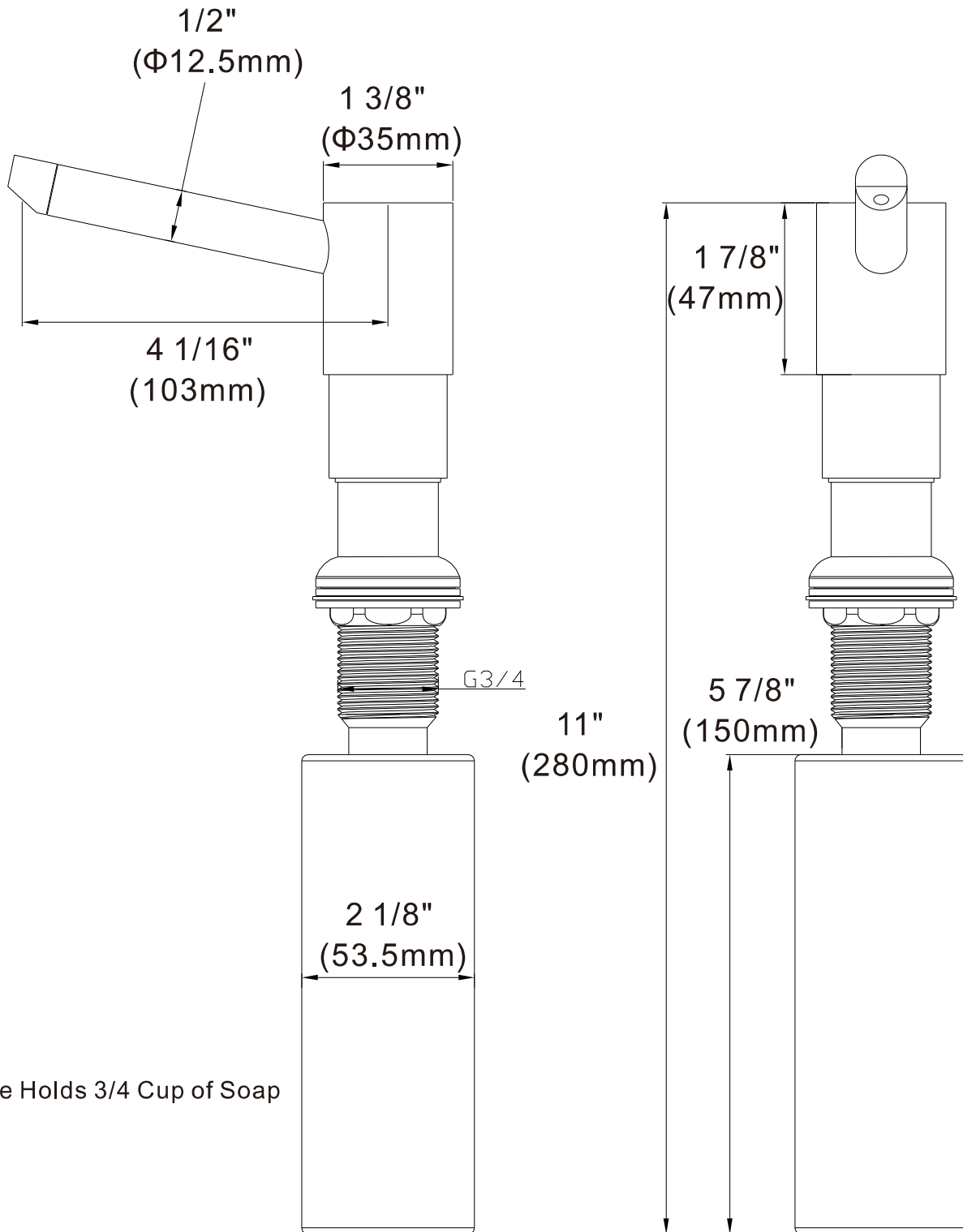
1. Dispenser Pump
2. Stainless Holder
3. Stainless Base
4. Base Rubber
5. Rubber Washer
6. Stainless Washer
7. Mounting Nut
8. Plastic Soap Bottle



Bottle Holds 3/4 Cup of Soap

SD-1002 Soap Dispenser

# Product Dimension Drawing

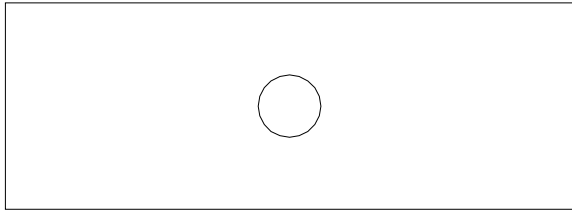
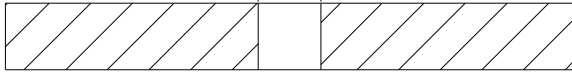


Bottle Holds  $3/4$  Cup of Soap

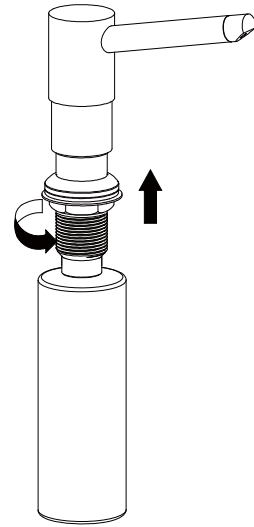
# Faucet Installation Procedures

step ①

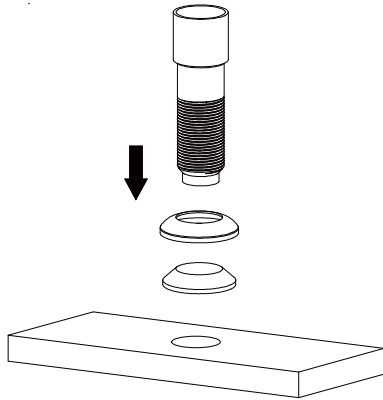
1 1/8"  
(Φ28mm)



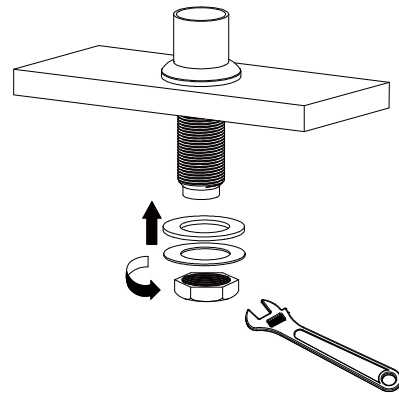
step ②



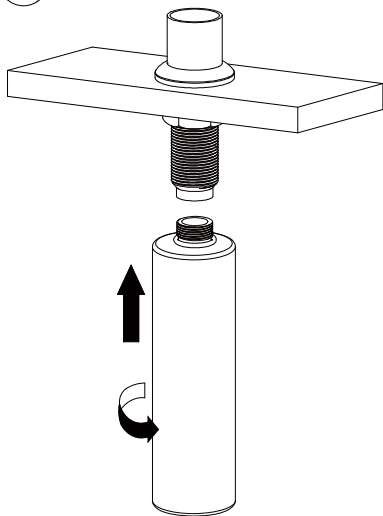
step ③



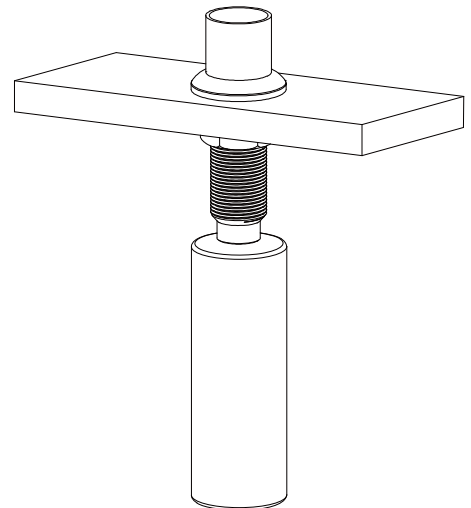
step ④



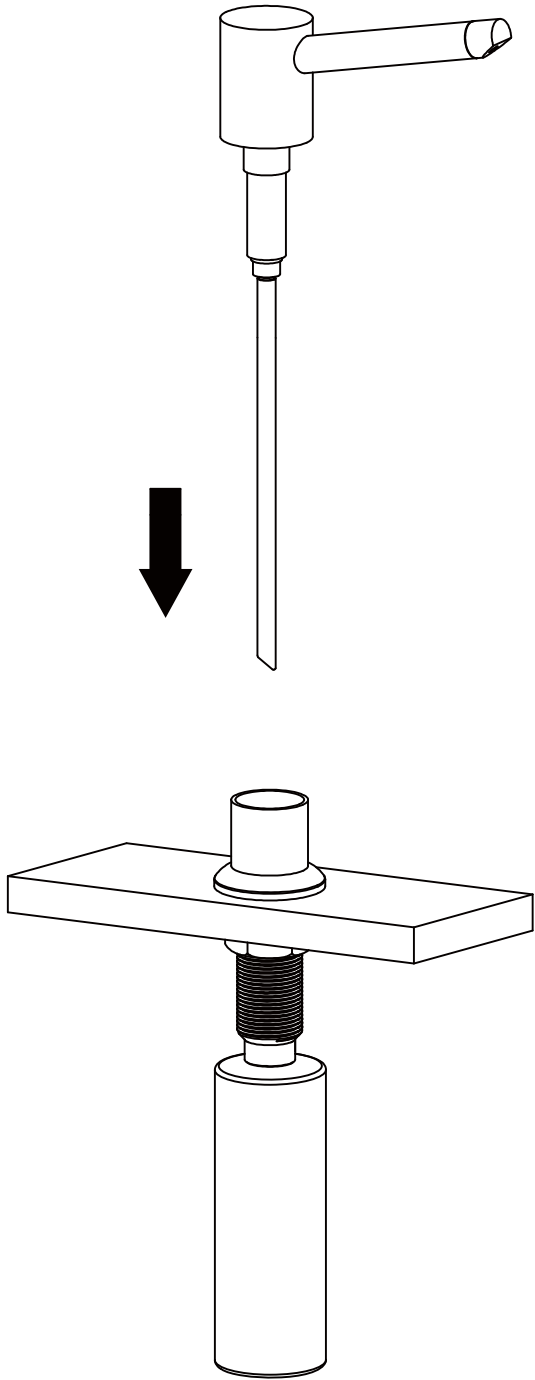
step ⑤



step ⑥



step ⑦



step ⑧

